

# TRANSFER AIDS

## CARONY

SPECIFICATION DATA SHEET



### Transfer from wheelchair to car seat without lifting

The new Carony, like the old, is a wheelchair that lets the user stay seated in the wheelchair when moving into the car. By docking onto a swivel base the entire wheelchair seat, with the seated user, can slide into the car, where it becomes the car seat.

Our latest version has been improved in many different ways in terms of comfort for the user, ergonomics and functions for the carer as well as a simplified installation process.

The seat itself is highly adaptable with individually adjustable armrests, torso support and thigh support. A built in pneumatic bladder allows the front of the cushion to be raised to further improve seating comfort.

It comes in a discreet grey colour and has a sleek design matching both the interior and exterior of today's cars.

Suitable for people of all sizes, including those of short stature and children.

For a full review of the Carony's features, visit Dealerweb.

#### SWIVEL BASE COMPATIBILITY

TURNOUT	TURNY MANUAL	TURNY LOW VEHICLE	TURNY HD/ORBIT	TURNY EVO	6-WAY BASE
✗	✓	✗	✓*	✓*	✗

\*requires adapter plate with rails

#### Quick Facts

- Integrated push handles with brakes
- Many adjustment points for user comfort
- 16" high quality wheels with reflective stripes
- Improved stability
- One model only
- Uses same seat for both wheelchair and vehicle

#### Specifications

Frame Material: metal  
Frame Colour: grey  
Seat Colour: black



**autoextras**  
group

# TRANSFER AIDS

## CARONY

### DIMENSIONS AND MODELS

Requires a swivel seat for docking to a car

Recommended accessories: Anti-tip device and Calf/heel support



CE MARKED



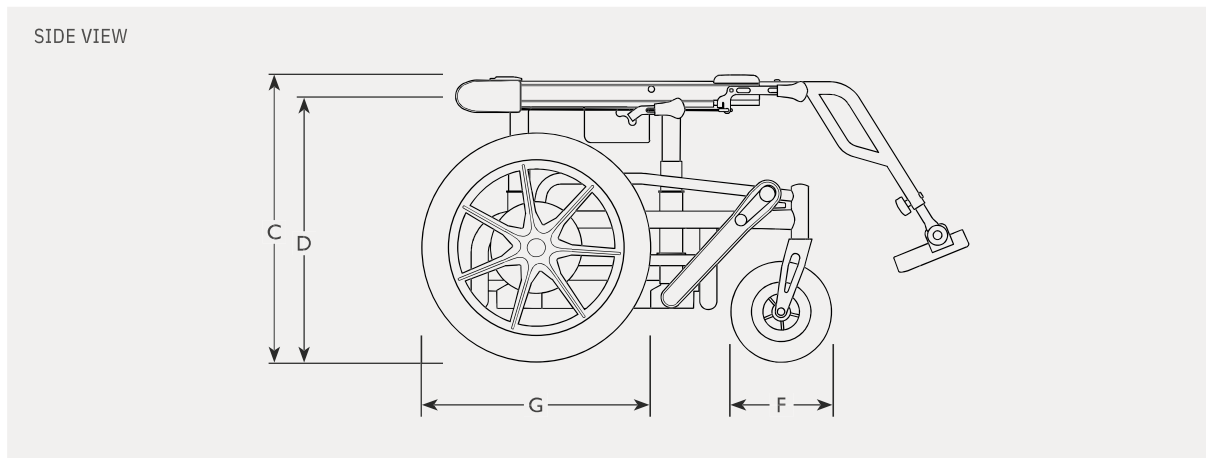
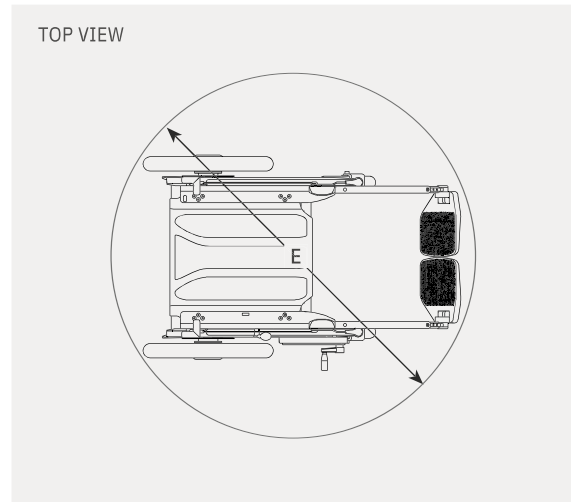
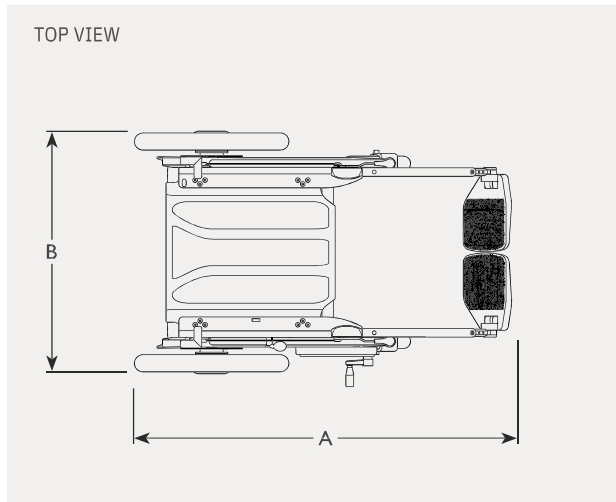
FLAMMABILITY TEST APPROVED



CRASH TEST APPROVED



250 000 CYCLE TEST APPROVED



#### Wheel base accessories

- 104069 Anti-tip device
- 104070 Puncture free wheels, front
- 104071 Puncture free wheels, rear
- 104081 Elevating leg support, right
- 104082 Elevating leg support, left

#### Seating accessories

- 104083 Thigh support, right
- 104084 Thigh support, left
- 104085 Torso support, right
- 104086 Torso support, left
- 100665 Head support (neck roll)
- 100425 2-point hip belt
- 104056 4-point shoulder harness
- 104059 Calf / heel support
- 104057 Universal elastic strap
- 104058 Elastic extension strap

Carony		Brake lever side	Length	Width	Height	Docking height	Turning radius	Front wheel diameter	Rear wheel diameter	Maximum user weight	Unit weight
Carony		A	B	C	D	E	F	G			
103927	Carony 16"	both*	71	64	43-57	37-51	103	7"	16"	120	15.5
104072	Adapter plate with rails: Turny Evo										
104073	Adapter plate with rails: Turny HD/Orbit										

All weights and dimensions are given in kilograms and centimetres, and for reference only. \*mount the brake lever on one of the two sides

# TRANSFER AIDS

## CARONY

ACCESSORIES



### Anti-tip device

With the intention to make it as easy as possible to use and to adapt the wheelchair to any situation, the anti-tip device is both activated and deactivated using the feet. Be it going down a couple of steps or traversing a higher obstacle.

**104069** Anti-tip device



### Puncture free wheels

Both front and rear inner tubes are available in a puncture free version. All of them with the same premium quality and look.

**104070** Puncture free wheels, front

**104071** Puncture free wheels, rear



### Elevating leg support

Improved leg support for those with long legs or rigid knees.

**104081** Elevating leg support, right

**104082** Elevating leg support, left



### 2-point hip belt

Provides good support and prevents you from sliding forward in the seat.

**100425** 2-point hip belt

# TRANSFER AIDS

## CARONY

ACCESSORIES



### Thigh and torso support

Fitted anywhere along the slit along the backrest or under the seat, the premium adjustable torso support and thigh support provides a rigid brace wherever they're needed.

- 104083** Thigh support, right
- 104084** Thigh support, left
- 104085** Torso support, right
- 104086** Torso support, left



### 4-point shoulder harness

Distributing pressure across a 25% greater surface area than a traditional H-style harness, the 4-point shoulder harness has a body-contouring shape for optimal support and a comfortable fit. Curved pads follow the contours of the shoulders and ribcage, with a low-placed sternum strap for easy adjustability.

- 104056** 4-point shoulder harness



### Universal elastic strap

The 148 cm strap provides temporary or all-day support for travel, work, therapy, sports and fittings. Use on the chest, abdomen, thighs or lower legs. Adds 72 cm to the original Universal elastic strap.

- 104057** Universal elastic strap (148 cm) Elastic
- 104058** extension strap (72 cm)



### Calf / heel support

With great pressure distribution and durability, they support the lower legs and control flexion without risk of bruising. Breathable fabric provide air circulation and comfort. Attaches around the leg rests using Velcro. Easy to move.

- 104059** Calf / heel support

07 3252 3809  
autoextras.com.au  
sales@autoextras.com.au

