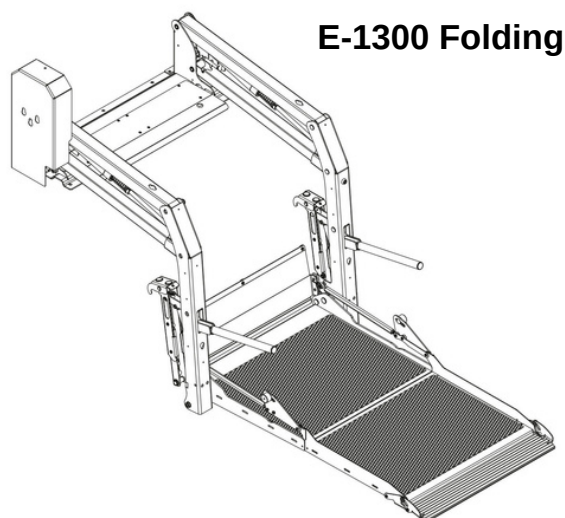


WHEELCHAIR LOADERS

HYDRAULIC LIFTER - HORIZONTAL SPLIT PLATFORM SPECS



E-1300 Folding

Dimensions

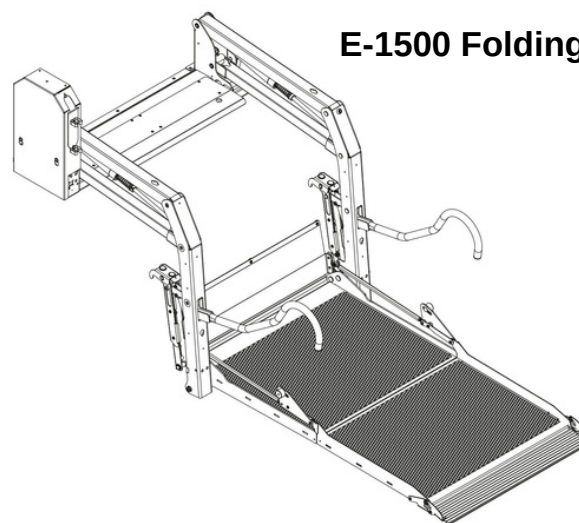
Platform width	740 mm
Platform length	1300 mm
Overall height	1100 mm
Overall width	1100 mm
Overall depth	433 mm
Floor to ground	800 mm
Required door width	980 mm
Required door height	1120 mm

Weights

Weight capacity	400 kg
Unit weight	133 kg
Shipping weight	164 kg

Pump module

Pump side	Left or Right
Seen from outside	



E-1500 Folding

Dimensions

Platform width	860 mm
Platform length	1500 mm
Overall height	1100-1360* mm
Overall width	1220 mm
Overall depth	433 mm
Floor to ground	800 mm
Required door width	1100 mm
Required door height	1120-1380* mm

Weights

Weight capacity	400 kg
Unit weight	146 kg
Shipping weight	177 kg

Pump module

Pump side	Left or Right
Seen from outside	

*the overall height can be modified by cutting the handrails.