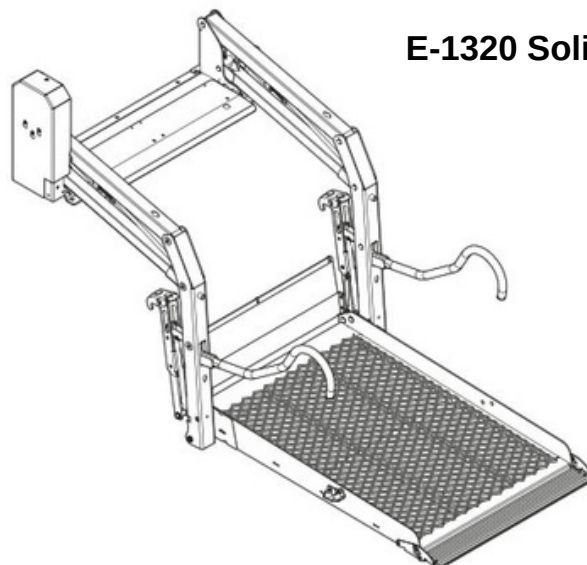


WHEELCHAIR LOADERS

HYDRAULIC LIFTER - SOLID PLATFORM SPECIFICATIONS



E-1050 Solid



E-1320 Solid

Dimensions

Platform width	740 mm
Platform length	1050 mm
Overall height	1150 mm
Overall width	1085 mm
Overall depth	350 mm
Floor to ground	800 mm
Required door width	965 mm
Required door height	1170 mm

Weights

Weight capacity	400 kg
Unit weight	124 kg
Shipping weight	155 kg

Pump module

Pump side	Left or Right
Seen from outside	

Dimensions

Platform width	860 mm
Platform length	1320 mm
Overall height	1420 mm
Overall width	1195 mm
Overall depth	340 mm
Floor to ground	800 mm
Required door width	1085 mm
Required door height	1440 mm

Weights

Weight capacity	400 kg
Unit weight	137 kg
Shipping weight	168 kg

Pump module

Pump side	Left or Right
Seen from outside	

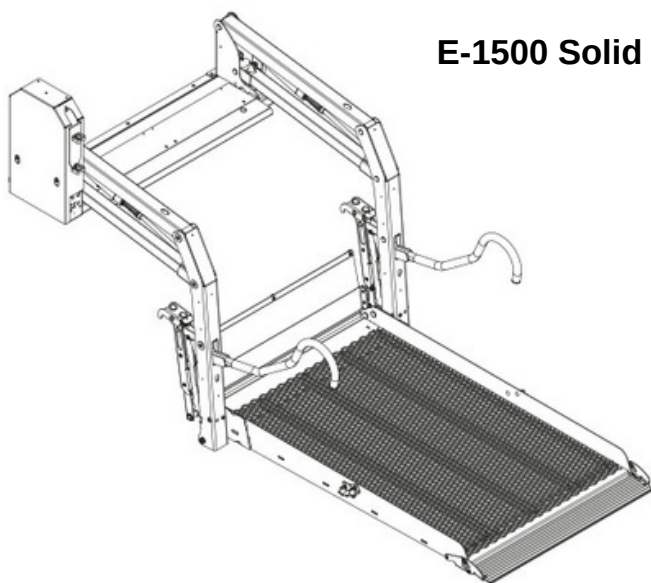
07 3252 3809
autoextras.com.au
sales@autoextras.com.au



autoextras
group

WHEELCHAIR LOADERS

HYDRAULIC LIFTER - SOLID PLATFORM SPECIFICATIONS



E-1500 Solid

Dimensions

Platform width	900 mm
Platform length	1500 mm
Overall height	1600 mm
Overall width	1260 mm
Overall depth	433 mm
Floor to ground	800 mm
Required door width	1140 mm
Required door height	1620 mm

Weights

Weight capacity	400 kg
Unit weight	144 kg
Shipping weight	175 kg

Pump module

Pump side	Right
Seen from outside	

Testing

Cycle test approved (32,000)	✓
Crash test approved	✓
Climate test approved	✓
EMC test approved	✓
Type approved (E5)	✓

Standards

EN 1756 compliant	✓
ECE R-10 compliant	✓
REACH compliant	✓
GADSL compliant	✓
RoHS compliant	✓
3TG compliant	✓

