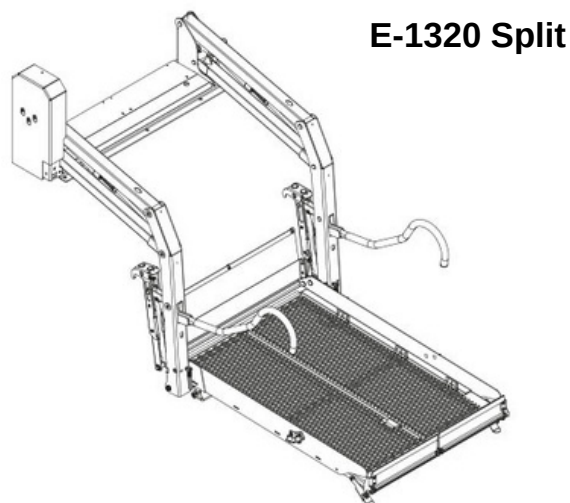


WHEELCHAIR LOADERS

HYDRAULIC LIFTER -

VERTICAL SPLIT PLATFORM SPECS



Dimensions

Platform width	740 mm
Platform length	1050 mm
Overall height	1150 mm
Overall width	1085 mm
Overall depth	475 mm
Floor to ground	800 mm
Required door width	965 mm
Required door height	1170 mm

Weights

Weight capacity	400 kg
Unit weight	137 kg
Shipping weight	168 kg

Pump module

Pump side	Left or Right
Seen from outside	

Dimensions

Platform width	860 mm
Platform length	1320 mm
Overall height	1420 mm
Overall width	1195 mm
Overall depth	545 mm
Floor to ground	800 mm
Required door width	1085 mm
Required door height	1440 mm

Weights

Weight capacity	400 kg
Unit weight	149 kg
Shipping weight	180 kg

Pump module

Pump side	Left or Right
Seen from outside	

07 3252 3809
autoextras.com.au
sales@autoextras.com.au



autoextras
group