

TRANSFER AIDS

TURNY EVO

SPECIFICATION DATA SHEET



Brings the entire car seat outside the vehicle for both drivers and passengers

The Turny Evo is a seat lift that will allow the user to get seated outside the vehicle, before being comfortably lifted to a safe position inside. Having the car seat completely outside of the vehicle and at a height of choice can be very helpful when getting seated or making the transfer from a wheelchair.

The unique feature of the Turny Evo is its programmable movement path. This allows the Turny Evo to be individually tailored to each user/vehicle combination and enables many driver's side installations.



Quick Facts

- Advanced seat lift
- Programmable movement path provides excellent head space and leg space
- Powered lift and swivel
- Generous lifting height
- Built-in foot rest
- Adjustable comfort position

Specifications

Power Supply: 12V



autoextras
group

TRANSFER AIDS

TURNY EVO

SPECIFICATION DATA SHEET



CE MARKED



EMC TEST APPROVED



CRASH TEST APPROVED



FMVSS APPROVED



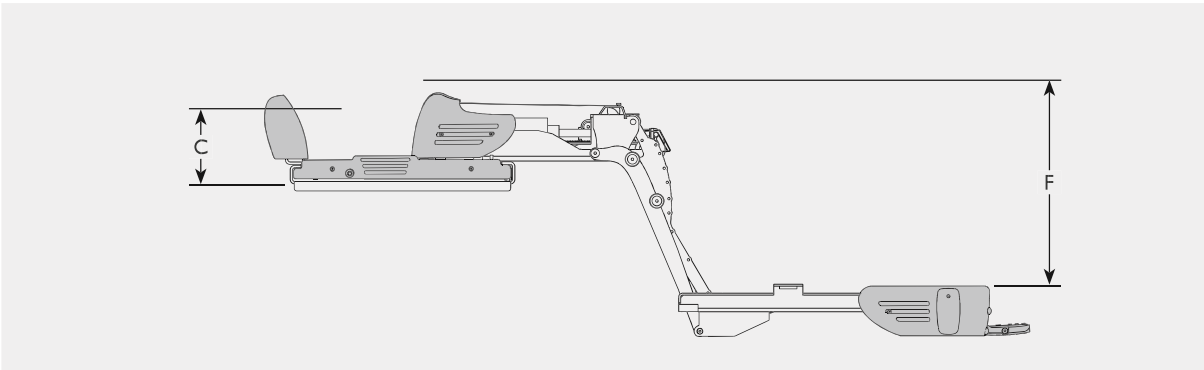
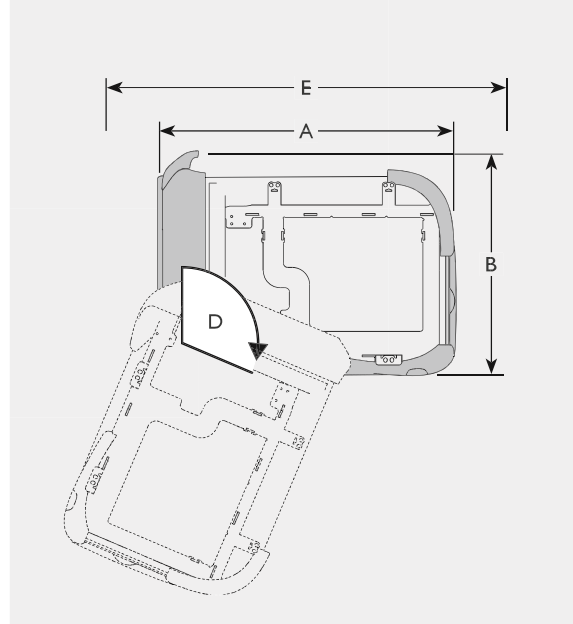
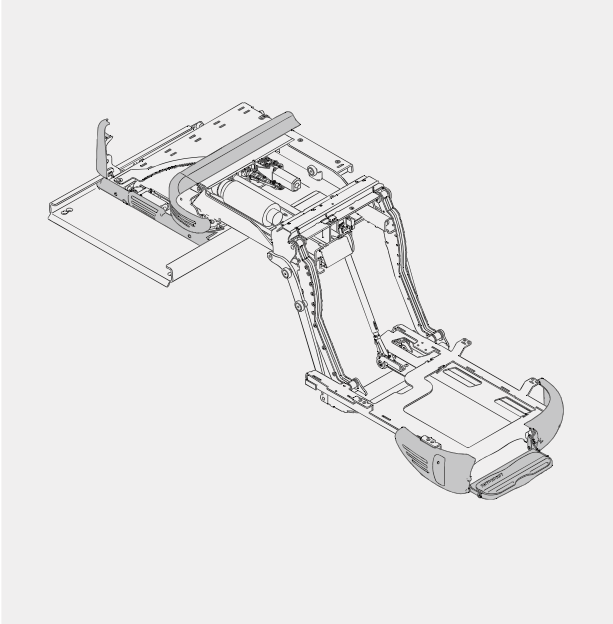
CYCLE TEST APPROVED



CLIMATE TEST APPROVED

Requires a mounting bracket (Dealerweb) for installation.

Recommended accessories: Application tool and lifting strap Accessories are available separately.



		Installation in vehicle	Length	Width	Height	Swivel range	Lengthwise movement	Vertical travel	Weight capacity	Unit weight
			A	B	C	D	E	F		
103261	Turny Evo	right	70.3	54.2	16.3	0-113°	41	39	180	84
103262	Turny Evo	left	70.3	54.2	16.3	0-113°	41	39	180	84
103532	Application tool	right								
103533	Application tool	left								
103562	Universal mounting bracket	front								
103563	Universal mounting bracket	middle								
103623	Lifting strap									

All weights and dimensions are given in kilograms and centimetres, and for reference only. Weight capacity refers to the total weight of the seat, accessories and user.

07 3252 3809
 autoextras.com.au
 sales@autoextras.com.au

